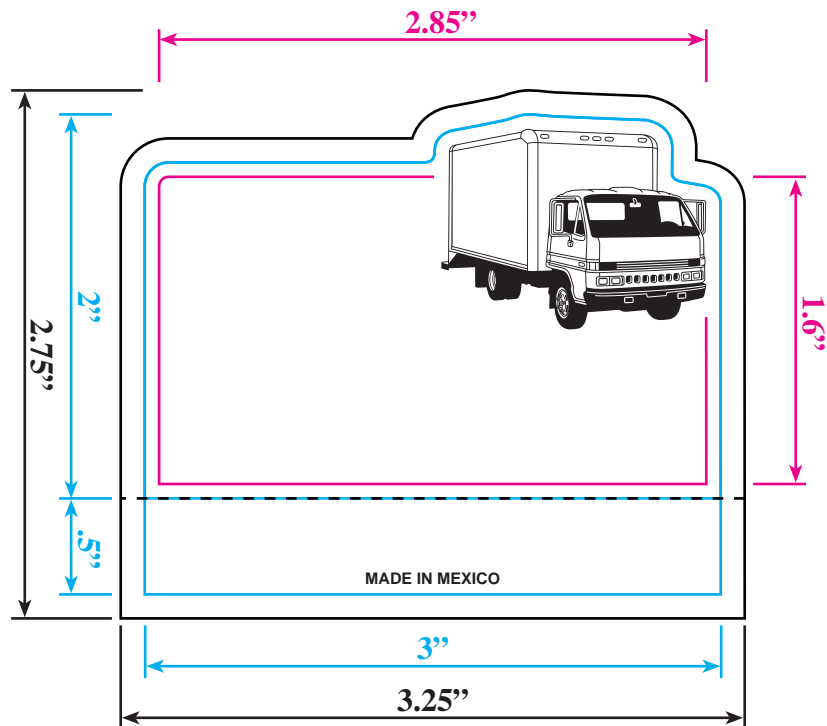


**BL-6318 - TRUCK - Stick'em - FOR CALENDAR PADS - (2.5 x 3)**



**CALENDAR PAD IS PLACED ON DOTTED LINE  
CALENDAR PAD = 2.25" x 3"**

**CYAN LINE = DIE CUT  
MAGENTA LINE = IMAGE AREA  
BLACK LINE = BLEED AREA**