

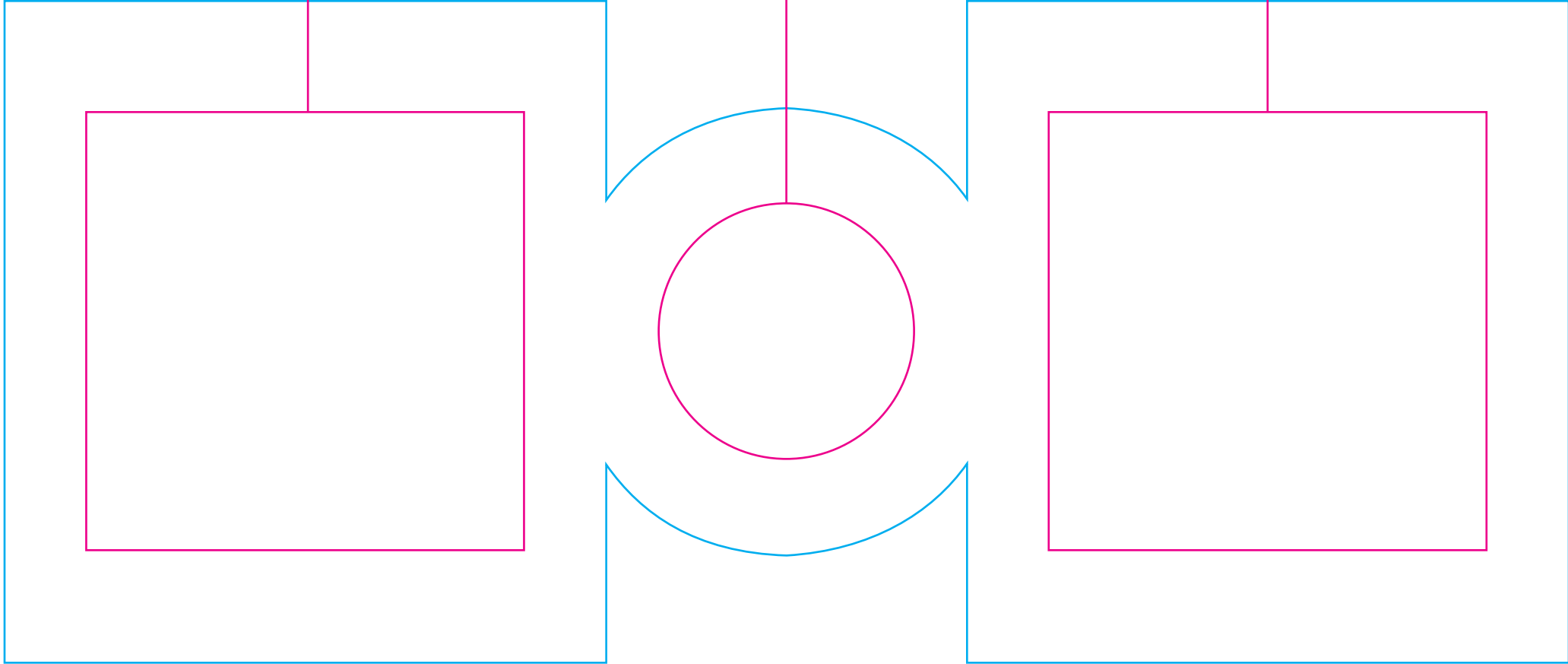
# COMBO-SK5

## SL-1020 CAN COOLIE

Magenta Line  
Imprint Area (3" sq.)

Magenta Line  
Imprint Area (1.75" rd.)

Magenta Line  
Imprint Area (3" sq.)



Cyan Line - SL-1020 Can Coolies (4 W X 5.25 H)

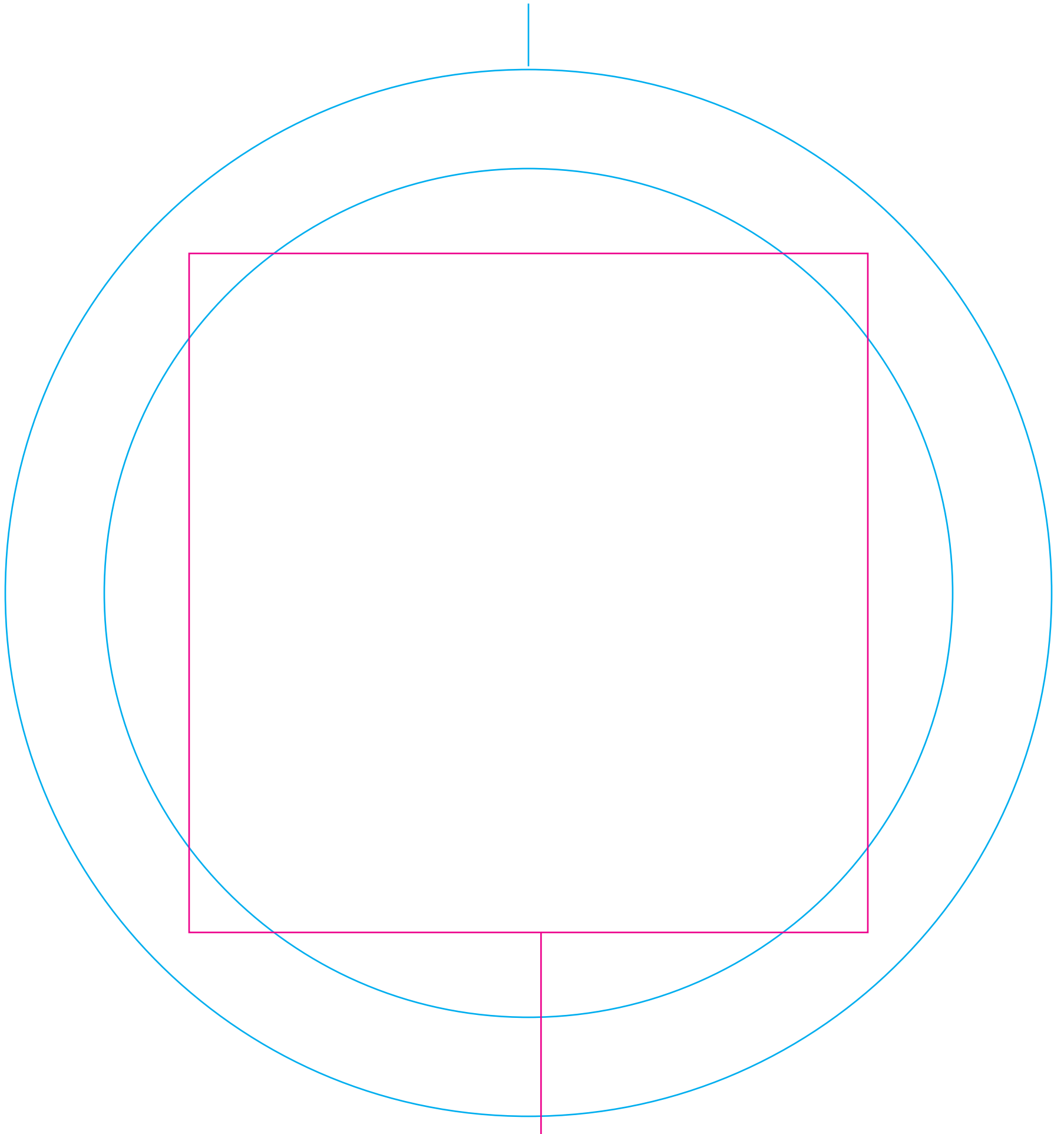
Magenta Line - Imprint Area (3 W X 3 H AND 1.75" ROUND)

SILKSCREEN

# COMBO-SK5

SL-1015 - 9 1/4" FLYER

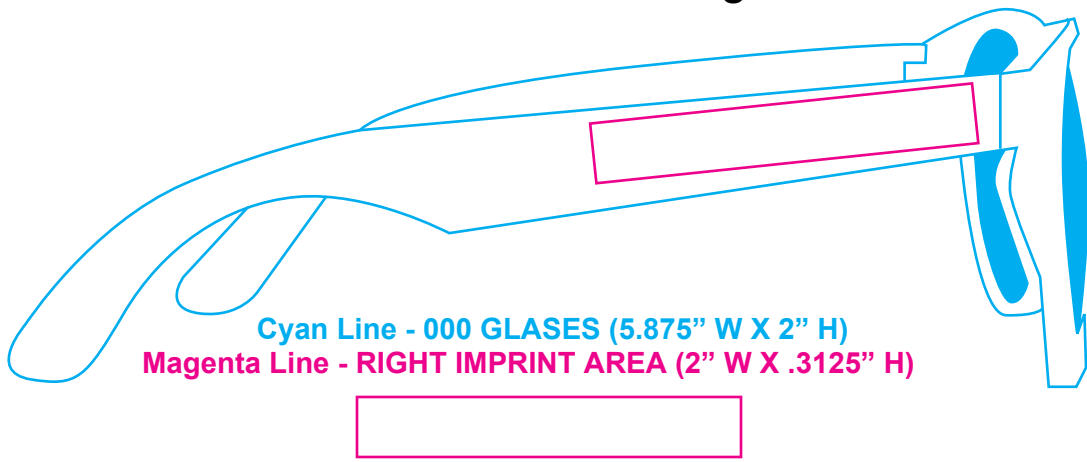
**Cyan Line - SL-1015 9.25" Flyer**



**Magenta Line - Imprint Area (6 W X 6 H) - 7 1/2" rd**

# COMBO-SK5

## SL-3010 Fiesta Sunglasses



000000

00000

PADPRINTING